



WEVER & DUCRÉ
LIGHTING

WIRO 6.5

209500B0

Project

Type

Notes

Quantity

Date

GENERAL

Ceiling

Suspended

Jet Black

IP20

Interior

290 lm

RAL 9005^a

LED

Lamp A60

E27

Socket E27

max. 60 W

PHYSICAL

Diameter 658 mm

Height 410 mm

3.9 kg

ELECTRICAL

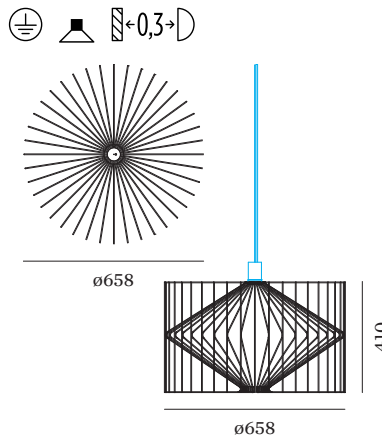
220 - 240 V

Total connected power 5.5 W

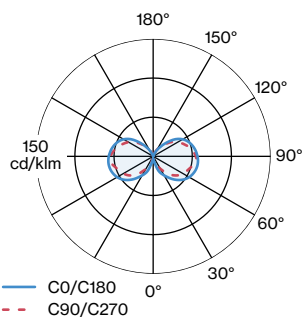
PC1

Safety distance 0.3 m

^a RAL Palette colors may deviate slightly due to production conditions.



LIGHT DISTRIBUTION



[209500B0] The technical data represent rated values for an ambient temperature of 25°C. The data values for the luminous flux are initially subject to a tolerance of +/- 10%, those for the electrical connected load are initially subject to a tolerance of +/- 10%, and those for the colour temperature are initially subject to a tolerance of +/- 150 K. No liability is assumed for typographical or printing errors. The general terms and conditions of Wever & Ducré BVBA apply.
© Wever & Ducré BVBA · Spinnerijstraat 99/21 · 8500 Kortrijk · Belgium · www.weverducre.com



WEVER & DUCRÉ
LIGHTING

WIRO 6.5

209500B0

SUSPENSION OPTIONS

WIRO Decenter 1.0

| TYPE | ORDERCODE |
|------------------------------|-----------------|
| Suspension Set E27 2.6 m | 9 0 0 1 5 1 6 0 |
| Suspension Set E27 6.0 m | 9 0 0 1 5 1 6 1 |
| Suspension Set E27 2.6 m | 9 0 0 5 2 0 5 0 |
| Suspension Set E27 6.0 m | 9 0 0 5 2 0 5 1 |

WIRO Plug + Play

| TYPE | ORDERCODE |
|-----------------------------------------------|-----------------|
| Suspension Set E27 Cable Plug with dimmer | 9 0 0 1 5 1 6 5 |

WIRO Single Suspension

| TYPE | ORDERCODE |
|---------------------------------------------|-----------------|
| Suspension Set without steel wire 2.6 m | 9 0 0 1 5 1 7 1 |
| Suspension Set without steel wire 6.0 m | 9 0 0 1 5 1 7 2 |
| Suspension Set with steel wire 2.6 m | 9 0 0 1 5 1 7 5 |
| Suspension Set with steel wire 6.0 m | 9 0 0 1 5 1 7 6 |

WIRO Base

| TYPE | Ø · H (MM) | ORDERCODE |
|----------------------------|------------|-----------------|
| Ceiling Surface Base E27 | ø100·66 | 9 0 0 5 1 0 2 5 |

WIRO Decenter 2.0

| TYPE | ORDERCODE |
|--------------------------------------|-----------------|
| Suspension Set E27 2.6 m for 2 | 9 0 0 5 2 0 5 5 |
| Suspension Set E27 6.0 m for 2 | 9 0 0 5 2 0 5 6 |

WIRO Decenter 3.0

| TYPE | ORDERCODE |
|--------------------------------------|-----------------|
| Suspension Set E27 2.6 m for 3 | 9 0 0 5 2 0 6 0 |
| Suspension Set E27 6.0 m for 3 | 9 0 0 5 2 0 6 3 |

Ceiling Hook

| TYPE | Ø · H (MM) | ORDERCODE |
|----------|------------|-----------------|
| for WIRO | ø16·30 | 9 0 0 5 2 0 6 1 |

Cable Wall Bracket

| TYPE | Ø · H (MM) | ORDERCODE |
|-----------------------------|------------|-----------------|
| only for WIRO textile cable | ø30·21 | 9 0 0 5 2 0 6 2 |

Strain Relief

| TYPE | Ø · H (MM) | ORDERCODE |
|---------------------|------------|-----------------|
| for WIRO suspension | ø12.5·13 | 9 0 0 5 2 0 6 4 |



WEVER & DUCRÉ
LIGHTING

WIRO 6.5

209500B0

WIRO Decenter 4.0

| TYPE | ORDERCODE |
|--------------------------------------|-----------------|
| Suspension Set E27 2.6 m for 4 | 9 0 0 5 2 0 6 7 |

WIRO Decenter 5.0

| TYPE | ORDERCODE |
|--------------------------------------|-----------------|
| Suspension Set E27 2.6 m for 5 | 9 0 0 5 2 0 6 8 |

WIRO Decenter 6.0

| TYPE | ORDERCODE |
|--------------------------------------|-----------------|
| Suspension Set E27 2.6 m for 6 | 9 0 0 5 2 0 6 9 |

WIRO Decenter 7.0

| TYPE | ORDERCODE |
|--------------------------------------|-----------------|
| Suspension Set E27 2.6 m for 7 | 9 0 0 5 2 0 7 0 |

WIRO Decenter 8.0

| TYPE | ORDERCODE |
|--------------------------------------|-----------------|
| Suspension Set E27 2.6 m for 8 | 9 0 0 5 2 0 7 1 |

ELECTRICAL

A60 LED Lamp

| TYPE | Ø · H (MM) | ORDERCODE |
|-------------|------------|-----------------|
| 2200K E27 | ø60 · 110 | 9 0 0 3 E 1 0 9 |
| 2700K E27 | ø60 · 110 | 9 0 0 3 E 1 3 8 |

T32-300 Lamp

| TYPE | Ø · H (MM) | ORDERCODE |
|-------------|------------|-----------------|
| 2200K E27 | ø32 · 295 | 9 0 0 3 E 1 2 7 |

T30-300 LED Lamp

| TYPE | Ø · H (MM) | ORDERCODE |
|-------------|------------|-----------------|
| 2200K E27 | ø30 · 300 | 9 0 0 3 E 1 3 0 |
| 2700K E27 | ø30 · 300 | 9 0 0 3 E 1 3 5 |